



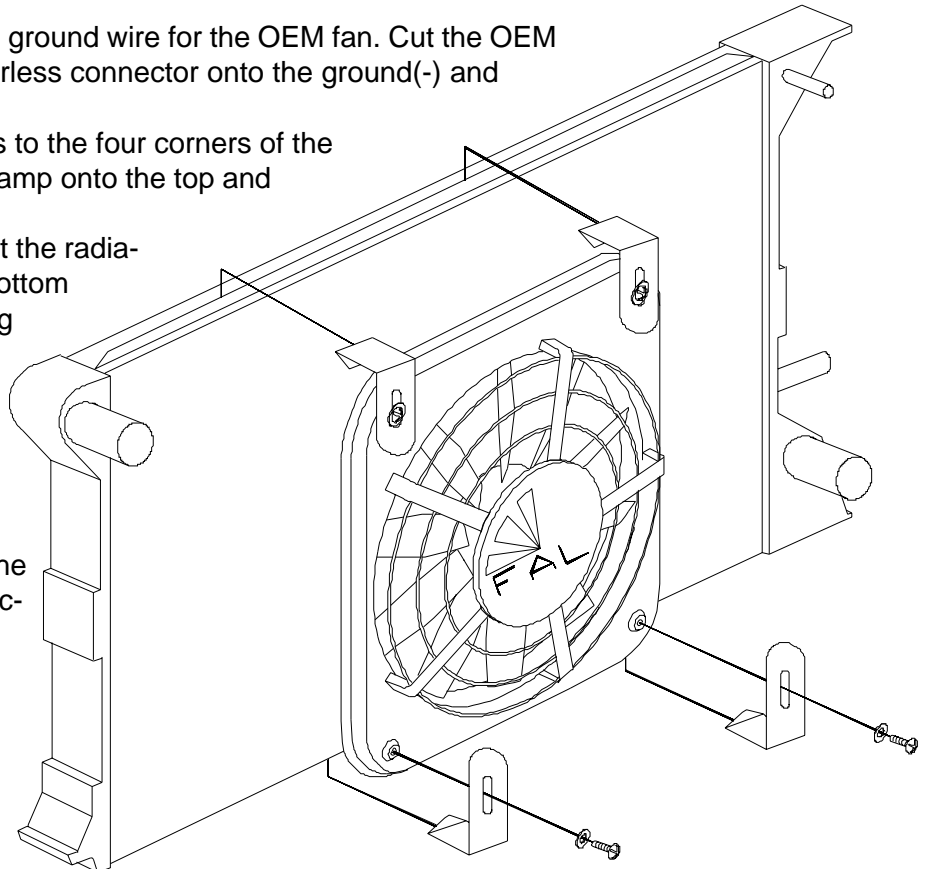
## FAL Part 190 Ford Focus 1992-2004

### Installation Instructions



Be sure the engine is cool before you start working on your car. For added safety, disconnect your battery to keep the fan from coming on while you are working under the hood.

1. Remove the OEM fan.
2. Use a test light to determine the ground wire for the OEM fan. Cut the OEM connector off and crimp a solderless connector onto the ground(-) and positive(+) wire.
3. Loosely mount the four brackets to the four corners of the new FAL fan. These brackets clamp onto the top and bottom of the radiator.
4. Place the FAL Focus fan against the radiator, hooking the clamps to the bottom of the radiator and then adjusting the top brackets.
5. Tighten the four brackets, adjusting them to seal the fan to the radiator core.
6. Attach the White motor wire to the positive(+) fan power wire. Attach the Black motor wire to the ground(-) wire. Wrap the connections with electrical tape to seal them from the elements.
7. Secure the wire with zip-ties to keep them from contacting the fan.
8. Reconnect the battery. Start the car and turn on the AC. As the AC compressor cycles, the fan should come on. Make sure the fan is turning the proper direction, by pulling air through the radiator into the fan.
9. Next, allow the car to idle, watching the car's engine coolant temp from inside. The car's computer will control the fan, just as it did with the old fan. Watch the coolant temp and see when the fans come on.
10. If you would like, you can hook up an adjustable temp sensor (FAL #31147), or a manual switch (FAL #31148) so you can control the fan. Always use a relay to carry the load for the fan (FAL # 31146). These are all available from your Flex-a-lite/FAL dealer. **See [www.flex-a-lite.com](http://www.flex-a-lite.com) for more information.**



#### The Flex-a-lite Limited Warranty

Flex-a-lite Consolidated, 7213-45th St. Ct. E., Fife, WA 98424, Telephone No. 253-922-2700, warrants to the original purchasing user, that all Flex-a-lite products to be free of defects in material and workmanship for a period of 365 days (1 year) from date of purchase. Flex-a-lite products failing within 365 days (1 year) from date of purchase may be returned to the factory through the point of purchase, transportation charges prepaid. If, on inspection, cause of failure is determined to be defective material or workmanship and not by misuse, accidental or improper installation, Flex-a-lite will replace the fan free of charge, transportation prepaid. **Flex-a-lite will not be liable for incidental, progressive or consequential damages.** Some states do not allow the exclusion or limitation of incidental or consequential damages, so the above limitation or exclusion may not apply to you. This warranty gives you specific legal rights and you may have other rights, which vary from state to state. The Flex-a-lite warranty is in compliance with the Magnuson-Moss Warranty Act of 1975.