



S-Blade Electric Fans

Installation Instructions

Puller Mode (as shipped from the manufacturer) Through Core Mounting Instructions (SEE DIAGRAM "A")

1. Position the electric fan against the radiator, and mark mounting hole locations.
2. Pass a small Phillips screwdriver through the marked holes, carefully spreading the fins to allow easy passage for the nylon bolts. Pass the bolts through the shroud holes in the radiator.
3. Push on the speed nuts until snug.
4. Cut off the end of the mounting bolts, leaving 1/4" remaining.

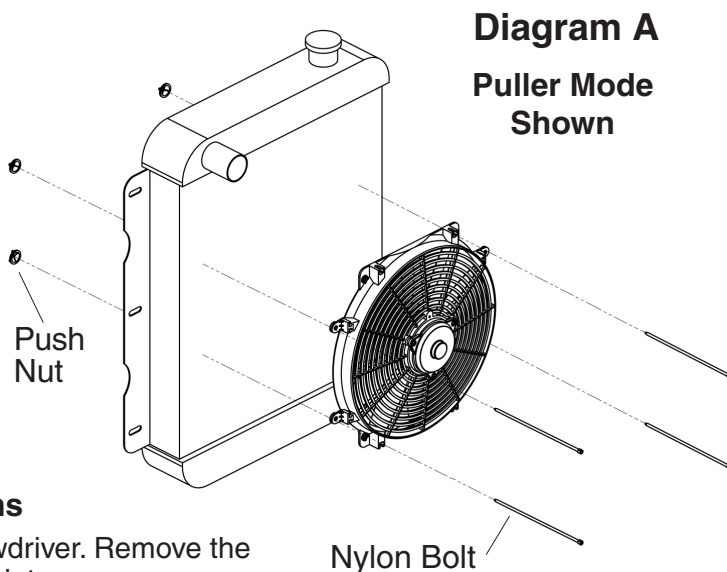


Diagram A
Puller Mode
Shown

Pusher Mode Through Core Mounting Instructions

1. Remove the blade retaining clip using a flat head screwdriver. Remove the retaining clip by sliding the clip free of the motor shaft slot.
2. Remove a pentagon drive washer (1ea.) and fan blade from motor shaft.
3. Flip over blade and place back onto motor shaft. Make sure the flat on the motor shaft is aligned with the flat on the blade.
4. Reinstall the pentagon drive washer, and blade clip. Make sure the drive washers are seated completely so they sit flat in the blade. Make sure the blade clip is fully seated back into motor shaft slot.
5. Proceed with instruction above. *Note: some vehicles have a/c condensers or transmission coolers mounted in front of the radiator. Modifications may be necessary to accommodate the fan.*

Wiring Instructions

Important: Pusher fans use:
Blue wire is positive (+).
Black wire is negative(-).

Important: Puller fans use:
Black wire is positive (+).
Blue wire is negative (-).

Note: Fans shipped in Puller mode. If you are mounting as a pusher, you need to flip fan blade over.

Recommended Circuit Protection:

- * Use 15 amp fuse for S-Blade part number - 39624 (24-volt).
- * Use 20 amp fuse for S-Blade part numbers - 390, 392, 394, & 396 (12-volt).
- * Use 40 amp fuse for S-Blade part number - 398 (12-volt).

The Flex-a-lite Limited Warranty

Flex-a-lite Consolidated, 7213-45th St. Ct. E., Fife, WA 98424, Telephone No. 253-922-2700, warrants to the original purchasing user, that all Flex-a-lite products to be free of defects in material and workmanship for a period of 365 days (1 year) from date of purchase. Flex-a-lite products failing within 365 days (1 year) from date of purchase may be returned to the factory through the point of purchase, transportation charges prepaid. If, on inspection, cause of failure is determined to be defective material or workmanship and not by misuse, accidental or improper installation, Flex-a-lite will replace the product free of charge, transportation prepaid. **Flex-a-lite will not be liable for incidental, progressive or consequential damages.** Some states do not allow the exclusion or limitation of incidental or consequential damages, so the above limitation or exclusion may not apply to you. This warranty gives you specific legal rights and you may have other rights, which vary from state to state. The Flex-a-lite warranty is in compliance with the Magnuson-Moss Warranty Act of 1975.