



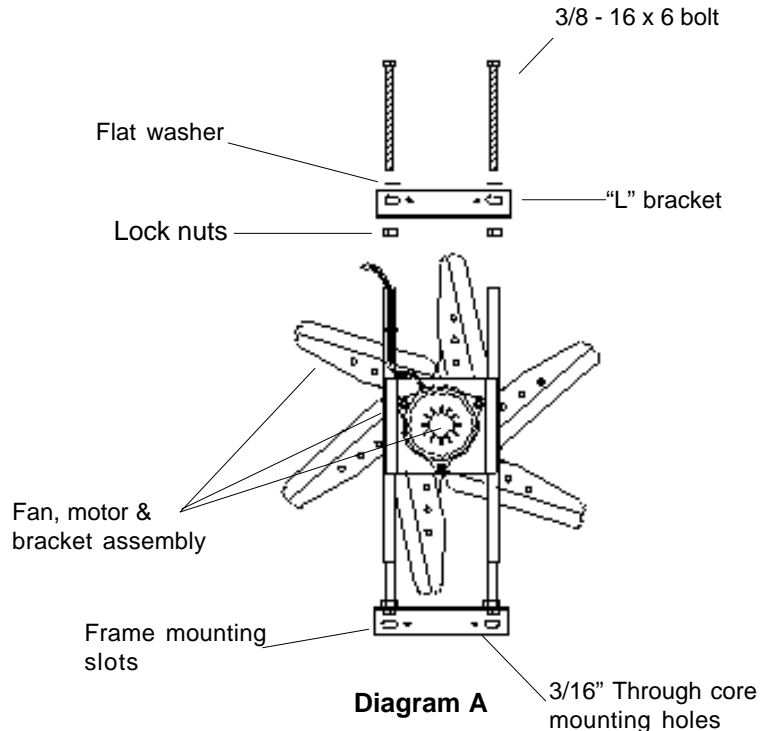
# High Volume Adjustable Electric Fan Instructions

## Part numbers:

- # 314 - 14" fan
- # 316 - 16" fan
- # 318 - 18" fan

## Each kit includes

- (1) fan, motor & bracket assembly
- (4) 3/8 - 16 x 1.25" bolts
- (4) 3/8 - 16 x 6" bolts
- (8) 3/8 - 16 star nuts
- (8) flat washers
- (2) "L" brackets
- (1) nylon bolt kit
- (1) instruction sheet



## Adjustable Fan Assembly

1. Insert the 6" bolts through washer and "L" bracket. Attach a lock nut to the bolt. This will be used to locate the height of the bracket for mounting. Insert bolt and "L" bracket assembly into threaded motor and bracket assembly. (See diagram A)

2. This unit is designed to push or pull air and can be mounted vertically or horizontally.

**IMPORTANT: It is not necessary to flip the fan blade or reverse the polarity to change to push or pull configurations. Typically puller fans are more efficient at moving air than pusher fans.**

### To "push" air from the front of the radiator:

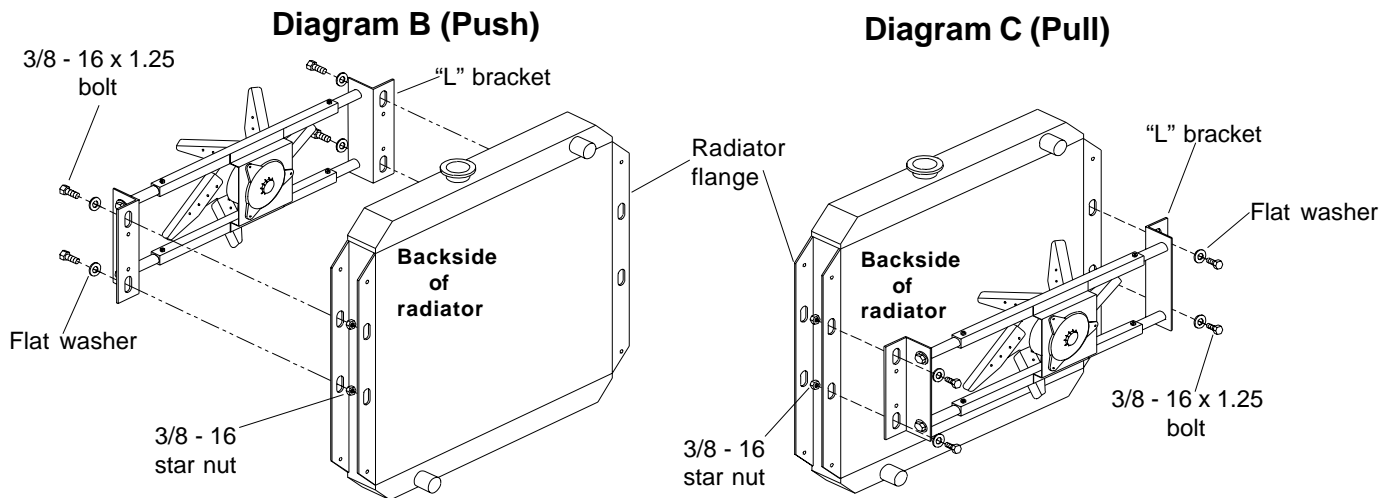
Attach the "L" brackets to the ends of the square threaded struts so that the electric fan motor is facing the radiator. (See diagram B) Use the bolts and washer supplied to attach the "L" brackets. (See diagram A)

### To "pull" air from the back of the radiator:

Attach the "L" brackets to the ends of the square threaded struts so that the electric fan blade is facing the radiator. (See diagram C) Use the bolts and washers supplied to attach the "L" brackets. (See diagram A)

## Installation (Frame mount)

1. Determine the best place to mount the fan on the radiator, vertically or horizontally in either push or pull configuration.
2. While holding the fan in place, extend the 6" long bolts and "L" brackets out to the radiator flange or bracket(s). Mark the position of the "L" brackets slots on the radiator flange or bracket(s). Drill a 5/16" hole at the marked positions. **IMPORTANT: Prior to drilling**, be sure that holes can be safely drilled in the desired locations.
3. Using the provided bolts, nuts and washers, if applicable, attach the fan unit to the radiator. Tighten the bolts accordingly. (See diagram B or C)



## Installation (Through core)

1. Determine the best place to mount the fan on the radiator, vertically or horizontally in either push or pull configuration.
2. Using the 3/16" holes of the "L" brackets, mark the position for mounting the fan on the radiator then pass a small Phillips head screwdriver through the marked holes to spread the fins to allow easy passage for the nylon bolts.
3. Pass the nylon bolt through the: Nylon washer, 3/16" hole of the "L" bracket, rubber washer, then finally the marked holes on the radiator. Be sure that the rubber washer is used between the brackets and the radiator surface.
4. On the opposite side of the radiator, push on the nylon fastener nut until snug.

## Wiring

### DIRECT CONNECTION

1. Attach the **Black** motor wire to a 12V **positive ignition controlled source** i.e., fuse box.
2. Attach the **Red** motor wire to **ground** i.e., chassis, negative post of the battery.

### MANUAL SWITCH (not included)

Splice a manual switch into the ground side of the electric fan motor (**Red motor wire**).

#### The Flex-a-lite Limited Warranty

Flex-a-lite Consolidated, 7213-45th St. Ct. E. Fife, WA 98424, Telephone No. 253-922-2700, warrants to the original purchasing user, that all Flex-a-lite products to be free of defects in material and workmanship for a period of 365 days (**1 year**) from date of purchase. Flex-a-lite products failing within 365 days (**1 year**) from date of purchase may be returned to the factory through the point of purchase, transportation charges prepaid. If, on inspection, cause of failure is determined to be defective material or workmanship and not by misuse, accidental or improper installation, Flex-a-lite will replace the fan free of charge, transportation prepaid. **Flex-a-lite will not be liable for incidental, progressive or consequential damages.** Some states do not allow the exclusion or limitation of incidental or consequential damages, so the above limitation or exclusion may not apply to you. This warranty gives you specific legal rights and you may have other rights, which vary from state to state. The Flex-a-lite warranty is in compliance with the Magnuson-Moss Warranty Act of 1975.